

WDP-84ML2MA

2MP HDR IP Mullion Camera



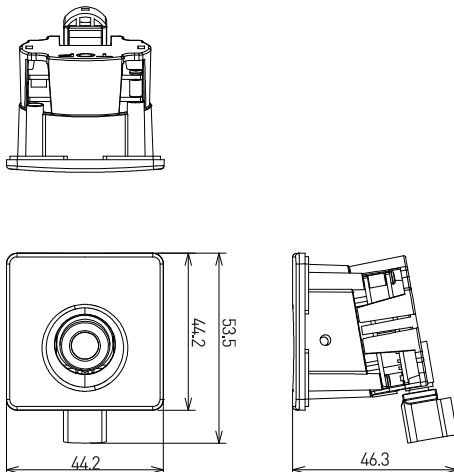
SPECIFICATION

Camera	
Image sensor	1/2.9" 2Megapixel HDR CMOS Full-HD Sensor
Number of active pixels	1920(H) x 1080(V)
Scanning system	Progressive scan
Lens	F2.0 2.5mm 3megapixel fixed lens
Lens Field of View	141°(D)x115°(H)x59°(V)
Shutter control	Rolling shutter
Sensitivity	26,200 e-/Lux-sec
Day & Night	Auto / Color / BW
White balance	ATW / Manual
Backlight compensation	High Dynamic Range
High dynamic range	Max. 86dB
AGC	Off / Low / Medium / High
S/N ratio	Max. 42.6dB
Noise Reduction	3DNR
Image setting	White balance, exposure control, color, brightness, sharpness
Video	
Compression	H.264@HP, MJPEG
Streaming	Simultaneous Multiple Streams H.264 streaming over UDP, TCP, HTTP or HTTPS, MJPEG streaming over HTTP or HTTPS
Resolution	640x360, 800x450, 960x540, 1280x720, 1440x810, 1600x900, 1920x1080
Frame rate	Up to 30fps@1080p

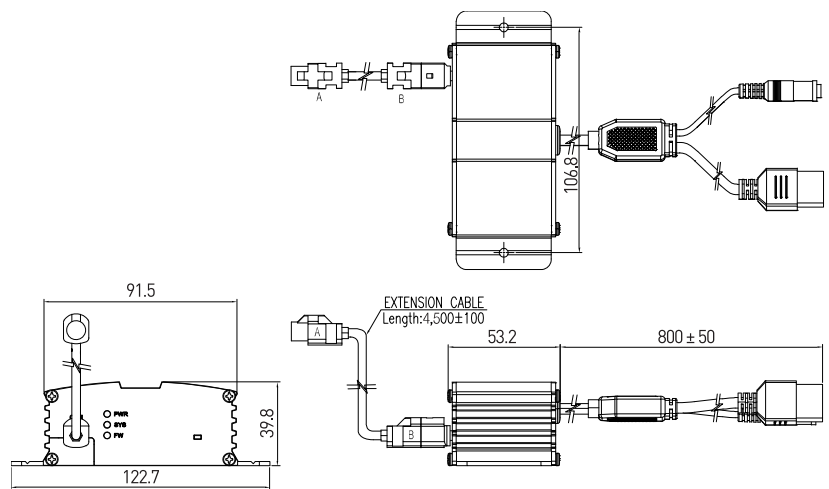
DIMENSIONS

[Unit : mm]

[Camera unit]



[Main unit]



WDP-84ML2MA

2MP HDR IP Mullion Camera



Networking	
Interface	10/100 Mbps Ethernet, RJ-45
ONVIF	Support Profile-S
Protocols	IPv4, TCP/IP, HTTP, HTTPS, UPnP, BONJOUR RTP/RTSP, SMTP, FTP, DHCP, NTP, DNS, DDNS, SNMP
Users	8 Clients monitoring at the same time
Security	
Security	Multi-level user access with password protection
	IP address filtering
	HTTPS encrypted data transmission
Maintenance	
Firmware	Supports firmware upgrade
Dual booting	Support for firmware recovery
Factory reset	Restores to factory default settings
Application	
Application	SDK available for application development and system integration
LED indicators	
System status	Normal operation, firmware upgrade, network unlinked no connection of camera unit, system startup
Factory reset	Factory resetting
Power status	Power on / off
Connectors	
Ethernet	RJ-45 jack
Power input	DC jack
Camera input	Rosenberger STP Cable, max length = 15feets
Power	
Power over Ethernet (PoE)	IEEE 802.3af
Power supply	DC 9~28V
Power consumption	Max 3.5W
Environmental	
Operating temperature	-30°C ~ +60°C
Humidity	10 ~ 90% RH, non condensing
Dimensions (mm)	Camera unit : 44.2(W) x 44.2(H) x 46.3(D) Main unit : 122.7(W) x 39.8(H) x 53.2(D) Extension cable length : 4500 ± 100

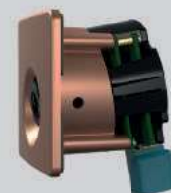
FEATURES

- High Dynamic Range
- High Sensitivity
- Triple Streaming (H.264 & MJPEG)
- 3D Digital Noise Reduction
- Power over Ethernet (PoE)
- ONVIF Profile S supported

COLOR VARIATION



WDP-84ML2MA-BK



WDP-84ML2MA-BR



WDP-84ML2MA-SL



WDP-84ML2MA-WH